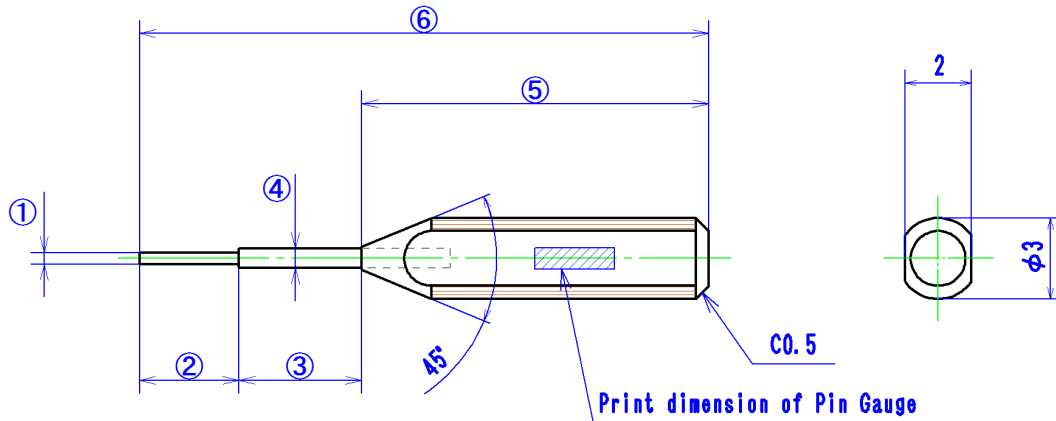


## 【Request for Quotation】



※ Specification for pin with holder diameter  $\phi 0.5\text{mm}$  (Max)

①	Pin diameter/Tolerance	
②	Pin length	
③	length of brass part	2mm / 15mm
④	Diameter of brass part	0.33mm / 0.7mm / 0.9mm
⑤	Holder length	20mm / 32mm
⑥	Entire length	
	Material	
	Qty	
	Edge face chamfer	Need / Dimention of chamfer :
		No need
	Print dimension of Pin Gauge	Need / No need

Company name		Person in charge	
Division			
Tel No.		Fax No.	
Address			
Email			